

Product data

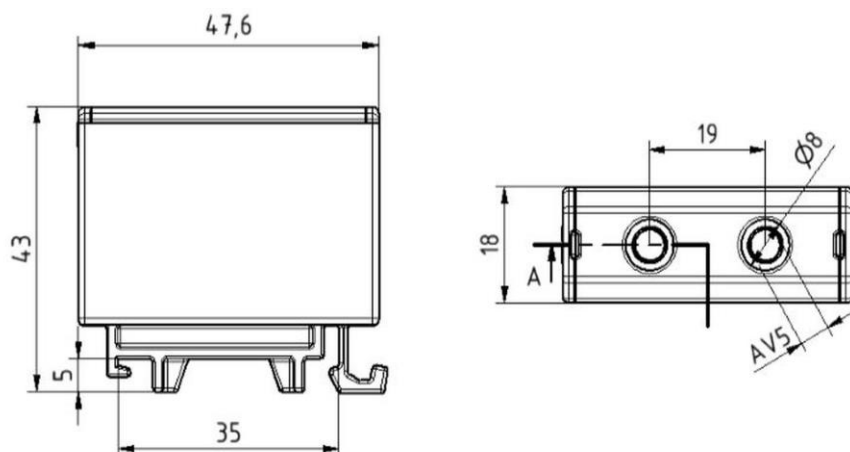
| | | | | | |
|--------------|----------------------------------------------------------|----------|----------------|------------|----------------------|
| Product code | VC05-0046 | STK-code | 1914104 | EAN-code | 6410019141047 |
| Product name | OTL-connector 1xAl/Cu 1,5-50mm² (Blue) | | | ETIM class | EC000897 |
| Wires | 1xAl/Cu 1,5-50mm² | | | | |

Technical data

| | | | |
|----------------------------|----------------------------------------|-------------|-----------------|
| Nominal current | Cu | 160 | A |
| | Al | 145 | A |
| Nominal voltage | | 1000 | V |
| Max. Current (US) | Cu | 150 | A |
| | Al | 120 | A |
| Max. Voltage (US) | | 600 | V |
| Number of poles | | 1 | pcs |
| Max. Cross section | | 50 | mm ² |
| Tightening torque | 1,5-2,5 mm ² | 1,5 | Nm |
| | 4-10 mm ² | 5 | Nm |
| | 16-50 mm ² | 10 | Nm |
| | | - | |
| Max. Operating temperature | | 80 | °C |
| Weight | | 30 | g |
| IP-protection | | IP20 | |
| Standards | EN 61238-1; EN60947-7-1; UL1059 | | |
| Color / Material | Blue RAL 5015/ PA66-V0 | | |
| Mounting / Connection | DIN-rail mounting | | |


Description

OTL-connectors are designed for connecting and branching aluminium and copper conductors. The body is made of tin plated aluminium. Housing is made of UL94 V0 class polyamide.

Drawing

Package

| | | | | | |
|-------------|------------|---------------|------------|-------------|-------------|
| Package | Box | Pcs / Package | 30 | Weight [kg] | 1,00 |
| Length [mm] | 210 | Width [mm] | 155 | Height [mm] | 105 |

Ouneva Oy

Teollisuustie 21
FI-82730 Tuupovaara
Finland

Tel. +358 400 179 750
info@ouneva.fi

www.ounevagroup.fi
www.ounevaproducts.fi