

Product data

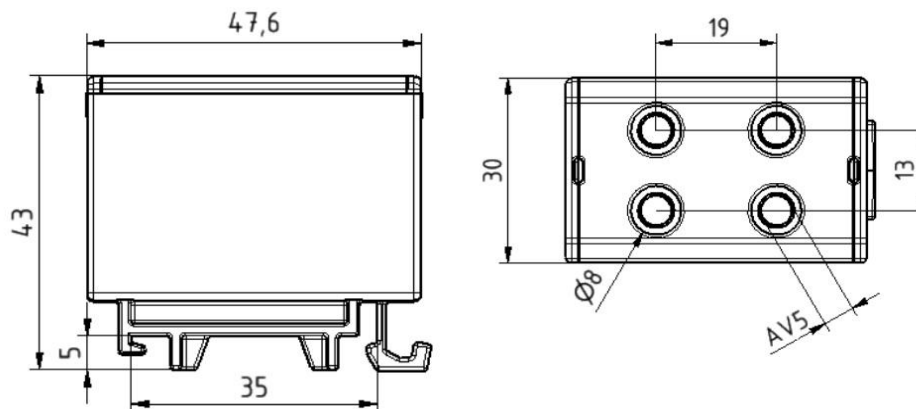
Product code	VC05-0049	STK-code	1914108	EAN-code	6410019141085
Product name	OTL-connector 2xAl/Cu 1,5-50mm ² (Yellow/Green)				
Wires	2xAl/Cu 1,5-50mm ²				

Technical data

Nominal current	Cu	320	A
	Al	290	A
Nominal voltage		1000	V
Max. Current (US)	Cu	-	A
	Al	-	A
Max. Voltage (US)		-	V
Number of pole		1	pcs
Max. Cross section		50	mm ²
Tightening torque	1,5-2,5 mm ²	1,5	Nm
	4-10 mm ²	5	Nm
	16-50 mm ²	10	Nm
	-	-	Nm
Max. Operating temperature		80	°C
Weight		90	g
IP-protection		IP20	
Standards	EN 61238-1; EN60947-7-1		
Color/ Material-flame rating	Green RAL 6018, Yellow RAL 1016/ PA66-V0		
Mounting/ Connection	DIN-rail mounting		


Description

OTL-connectors are designed to be used connecting and branching aluminium and copper conductors. The body is made of tin plated aluminium.

Drawing

Package

Package	Box	Pcs / Package	15	Weight [kg]	0,80
Length [mm]	120	Width [mm]	130	Height [mm]	100