

**Product data**

Product code	<b>VC05-0048</b>	STK-code	<b>1914107</b>	EAN-code	<b>6410019141078</b>
Product name	OTL-connector 2xAl/Cu 1,5-50mm <sup>2</sup> (Blue)				
Wires	2xAl/Cu 1,5-50mm <sup>2</sup>				

**Technical data**

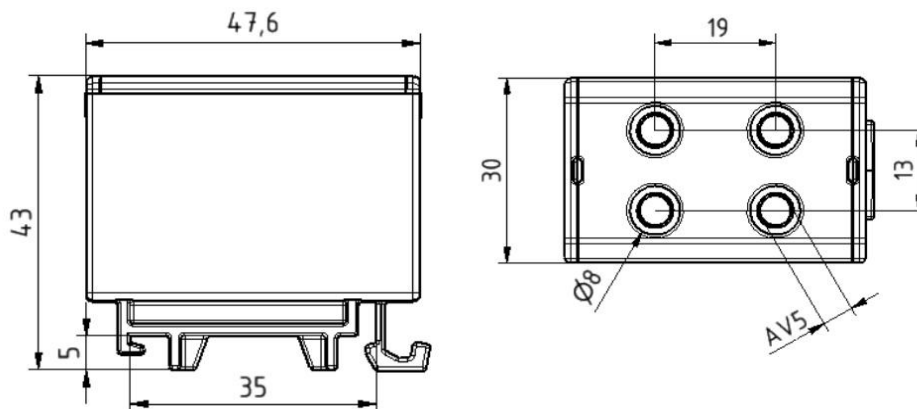
Nominal current	Cu	<b>320</b>	A
	Al	<b>290</b>	A
Nominal voltage		<b>1000</b>	V
Max. Current (US)	Cu	<b>300</b>	A
	Al	<b>240</b>	A
Max. Voltage (US)		<b>600</b>	V
Number of pole		<b>1</b>	pcs
Max. Cross section		<b>50</b>	mm <sup>2</sup>
Tightening torque	1,5-2,5 mm <sup>2</sup>	<b>1,5</b>	Nm
	4-10 mm <sup>2</sup>	<b>5</b>	Nm
	16-50 mm <sup>2</sup>	<b>10</b>	Nm
	-	-	Nm
Max. Operating temperature		<b>80</b>	°C
Weight		<b>90</b>	g
IP-protection		<b>IP20</b>	
Standards	<b>EN 61238-1; EN60947-7-1; UL1059</b>		
Color/ Material-flame rating	<b>Blue RAL 5015/ PA66-V0</b>		
Mounting/ Connection	<b>DIN-rail mounting</b>		



**Description**

OTL-connectors are designed to be used connecting and branching aluminium and copper conductors. The body is made of tin plated aluminium.

**Drawing**



**Package**

Package	<b>Box</b>	Pcs / Package	<b>15</b>	Weight [kg]	<b>0,80</b>
Length [mm]	<b>120</b>	Width [mm]	<b>130</b>	Height [mm]	<b>100</b>