

Product data

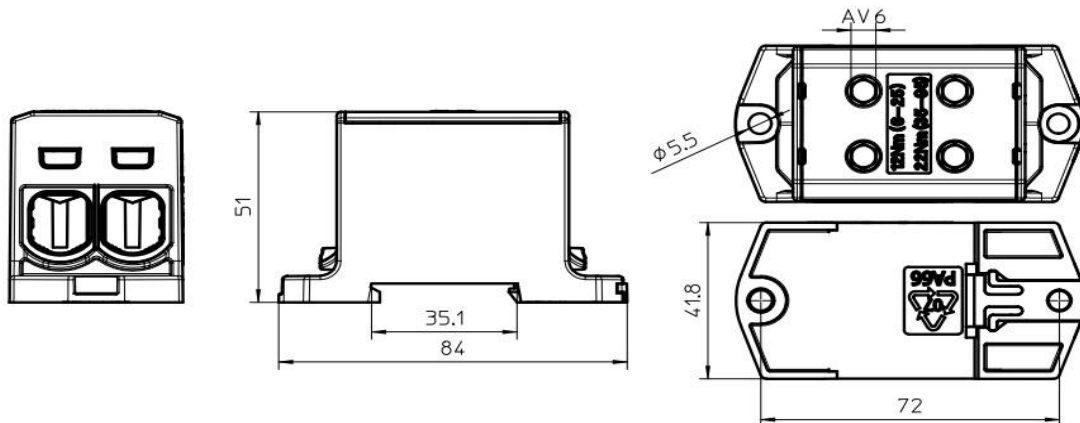
Product code	VC05-0043	STK-code	1914116	EAN-code	6410019141160
Product name	OTL-connector 2xAl/Cu 6-95mm ² (Blue)				
Wires	2xAl/Cu 6-95mm ²				

Technical data

Nominal current	Cu	490	A
	Al	440	A
Nominal voltage		1000	V
Max. Current (US)	Cu	-	A
	Al	-	A
Max. Voltage (US)		-	V
Number of pole		1	pcs
Max. Cross section		95	mm ²
Tightening torque	6-25 mm ²	12	Nm
	35-95 mm ²	22	Nm
		-	Nm
		-	Nm
Max. Operating temperature		80	°C
Weight		125	g
IP-protection		IP20	
Standards	EN 61238-1; EN60947-7-1		
Color/ Material	Blue RAL 5015/ PA66-V0		
Mounting/ Connection	DIN-rail and screw (M5) mounting		


Description

OTL-connectors are designed to be used connecting and branching aluminium and copper conductors. The body is made of tin plated aluminium.

Drawing

Package

Package	Box	Pcs / Package	15	Weight [kg]	1,80
Length [mm]	210	Width [mm]	155	Height [mm]	105